

**MICRO SWITCH**

FREEPORT, ILLINOIS, U.S.A.  
A DIVISION OF HONEYWELL

FED. MFG. CODE 91929

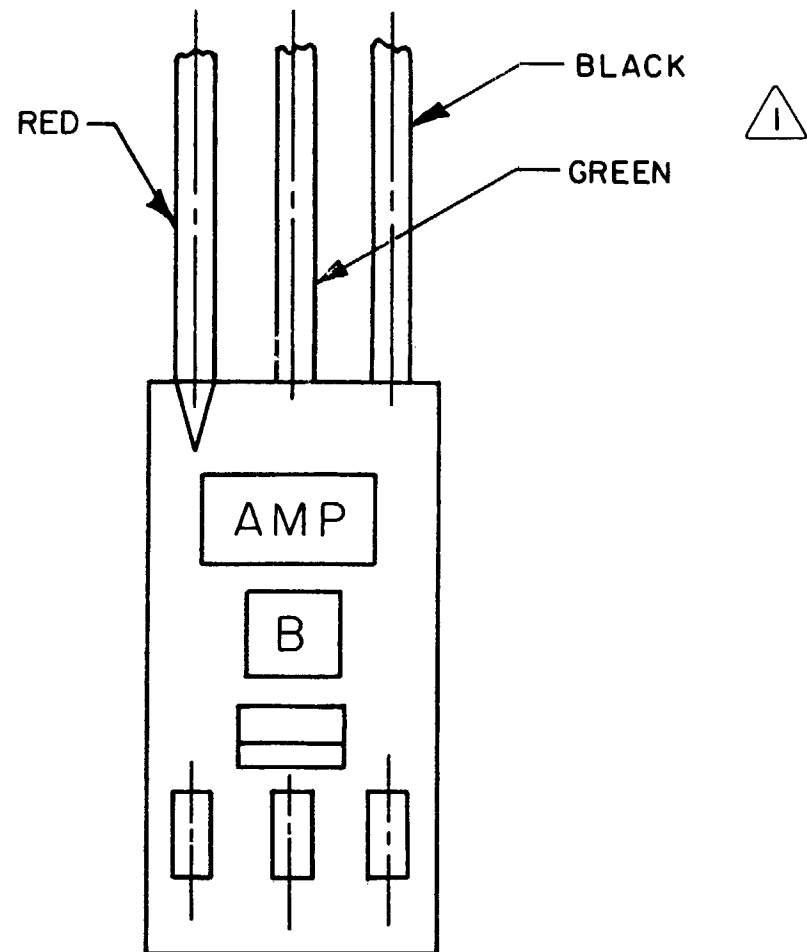
**AMP  
CONNECTOR**

CATALOG LISTING

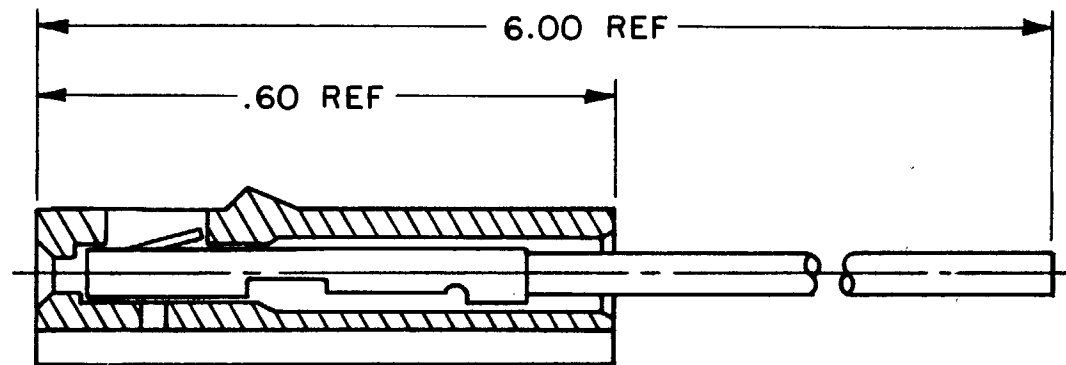
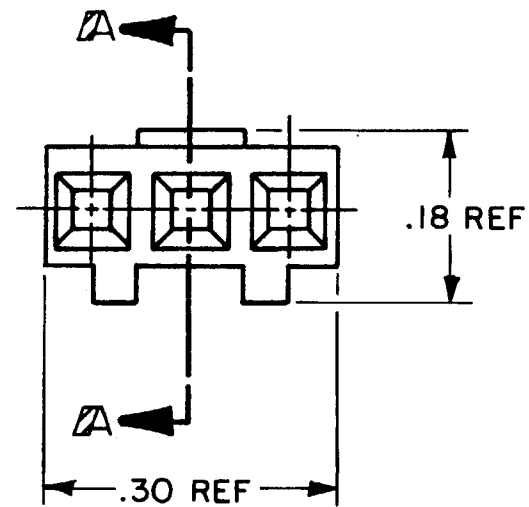
**VX1A-01**

THIS DRAWING COVERS A PROPRIETARY ITEM AND IS THE PROPERTY OF MICRO SWITCH, A DIVISION OF HONEYWELL. THIS DRAWING IS NOT TO BE COPIED OR USED WITHOUT THE APPROVAL OF MICRO SWITCH.

DRAWING NUMBER: **VX1A-01**  
 ISSUE: **I**  
 RELEASE NO.: **PR-13102**  
 CHECK: **WJM**  
 DATE: **28 AUG 84**  
 DRAWN: **WJM**  
 FO-52854-2



NOTE  
 ⚠ LEADWIRES ARE #24 GAUGE PER UL LISTING #JZ 275613



SECTION A-A

THIRD ANGLE PROJECTION				
SCALE 5:1				
DO NOT SCALE PRINT				
TOLERANCES				
APPLY TO DESIGN UNITS. CONVERSIONS ARE ONLY FOR REFERENCE UNLESS NOTED. TOLERANCES ARE ±				
	DIM.	TOL.	DIM.	TOL.
	in.	mil/in.	in.	mil/in.
NO PLACES	X	17/64	X X	0.0100
ONE PLACE	X X	0.41/015	X X X	0.01/015
TWO PLACES	X X X	0.157/06	X X X X	0.007/015
THREE PLACES	X X X X		X X X X X	0.157/005
ANGLES				
DESIGN UNITS	<input type="checkbox"/> S.W.E.T.C.		<input checked="" type="checkbox"/> U.S. CUSTOMARY	
WEIGHT				